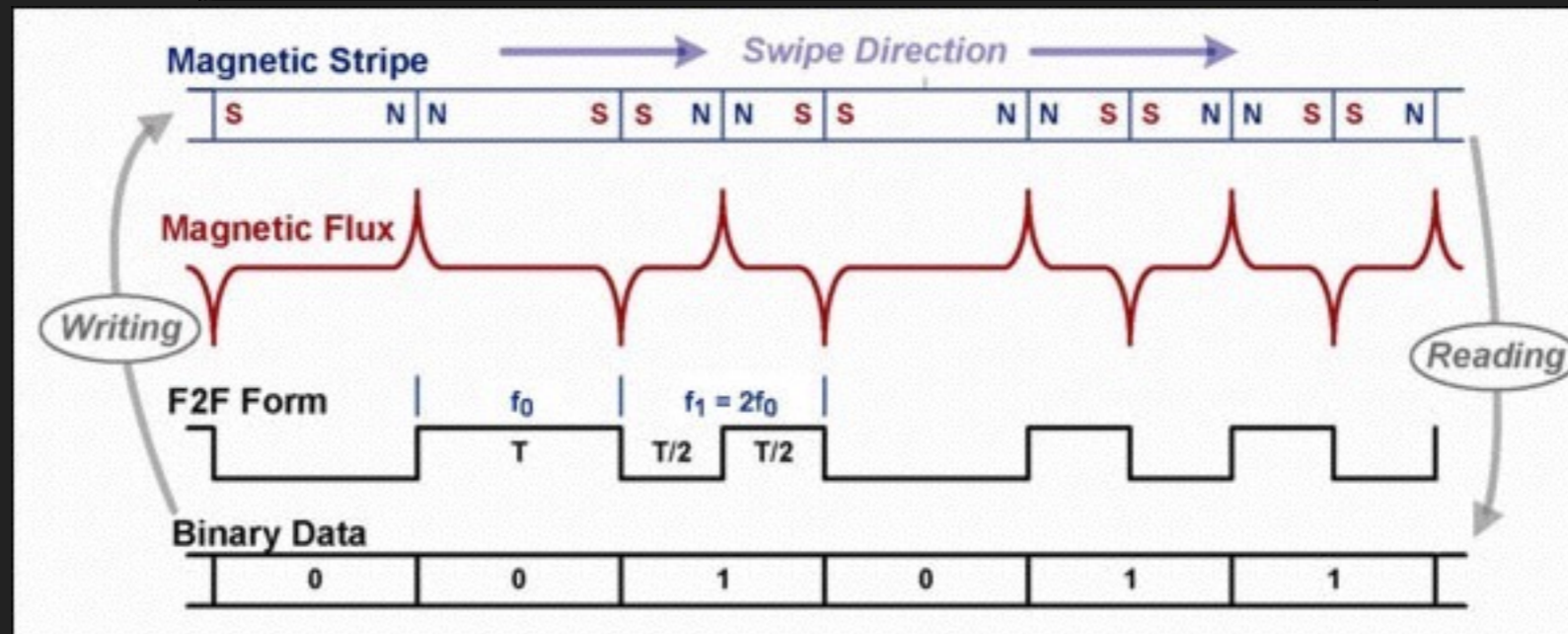


MAGSPOOF CREDIT CARD / MAGSTRIPE SPOOFER

ANDRÉS SABAS (@SABASACUSTICO)

MAGNETIC STRIPE



► fuente: <https://www.maximintegrated.com/en/app-notes/index.mvp/id/5094>

OWASP AGUASCALIENTES CHAPTER MEETING

Use of this card is subject to the cardmember agreement.

140259H 04/14

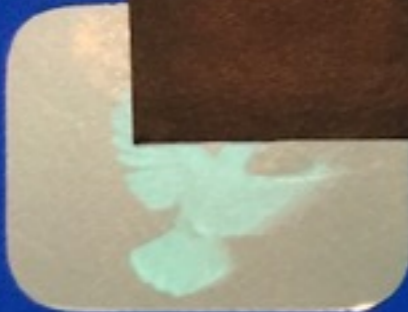


4147-12-170-52

chase.com/freedom | 1-800-524-3880 | Int'l Collect: 1-302-594-8200 | Español: 1-888-446-3308



Not



#500

02/13

MR SANY KARKAR

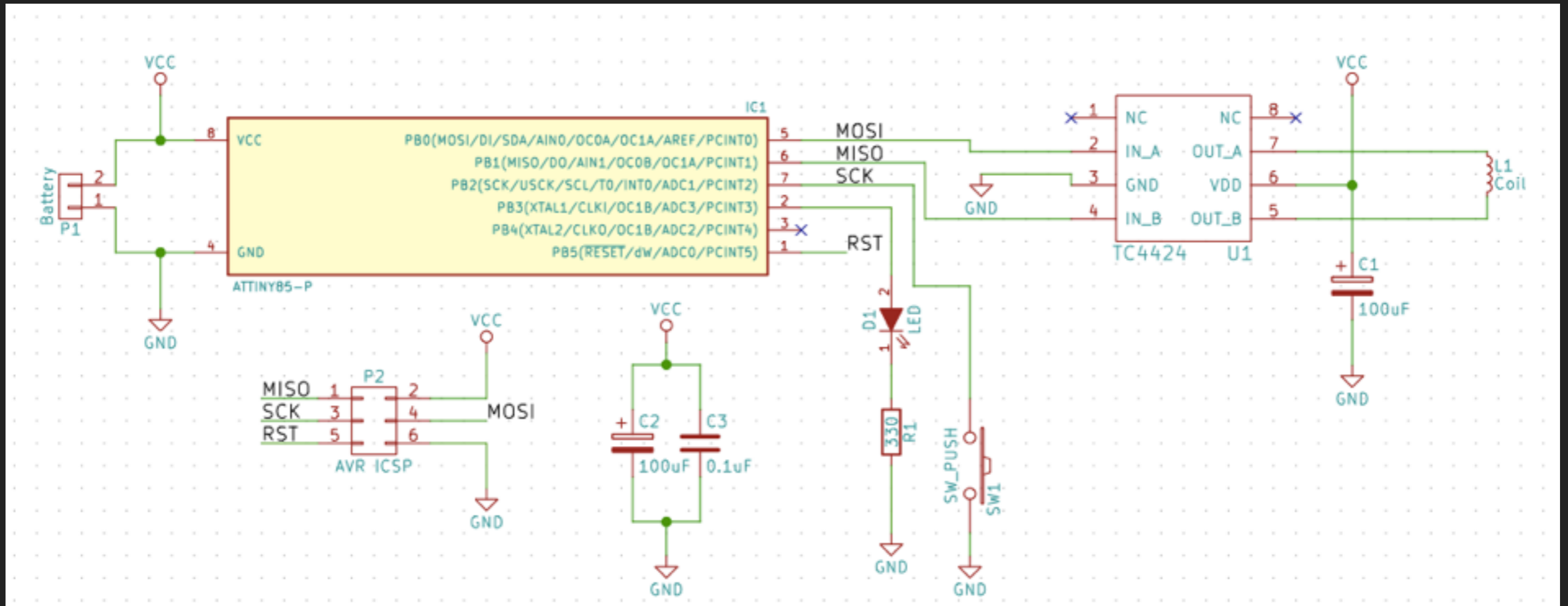
CHASE



MAGSPOOF BY SAMY KAM



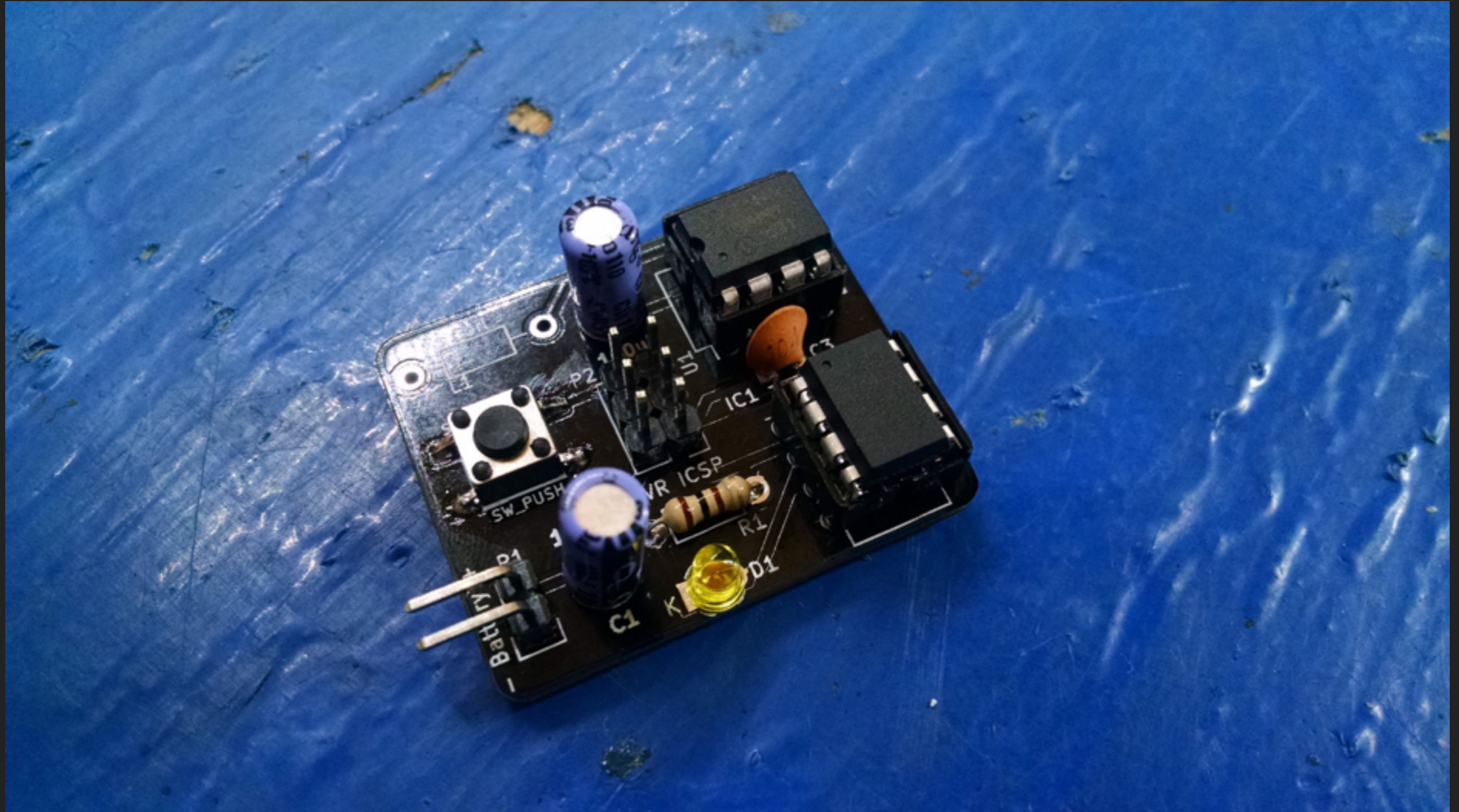
SCHEMATIC



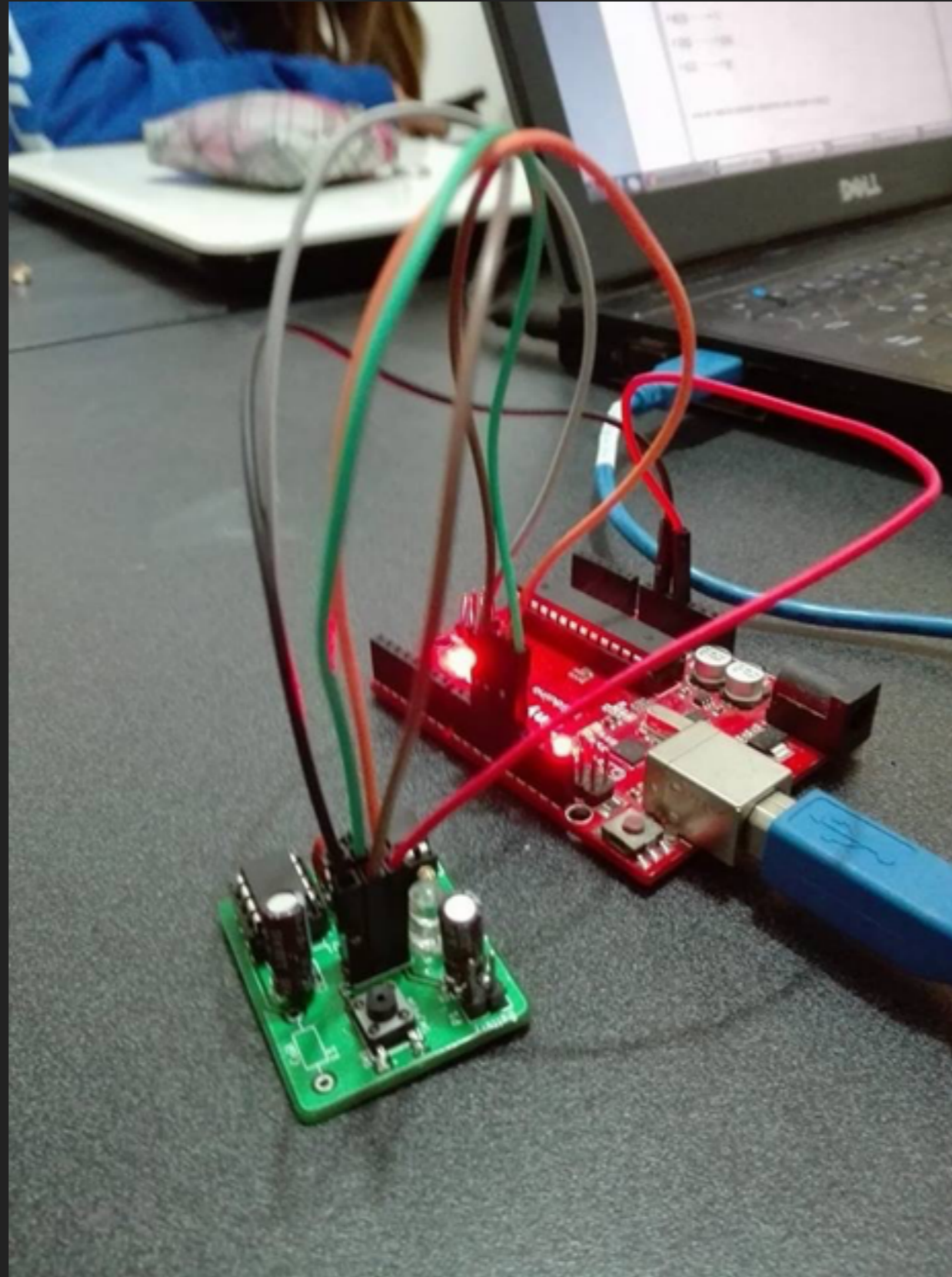
FEATURES

- ▶ small size
- ▶ It allows you to store all your credit cards and magstripes in one device
- ▶ Works on traditional magnetic stripe readers wirelessly (no NFC / RFID required)
- ▶ You can disable chip and PIN (code not included)
- ▶ It supports all three tracks of magnetic stripe, and even supports track 1 + 2 simultaneously
- ▶ Specially designed DIY
- ▶ Improvements to the original design
- ▶ Easy welding
- ▶ ICSP header for easy programming
- ▶ Open Hardware !!

MAGSPOOF 1.1 BY ELECTRONIC CATS



OWASP AGUASCALIENTES CHAPTER MEETINGTEXTO



SAMSUNG PAY

- ▶ What is MST (Magnetic Secure Transmission)?

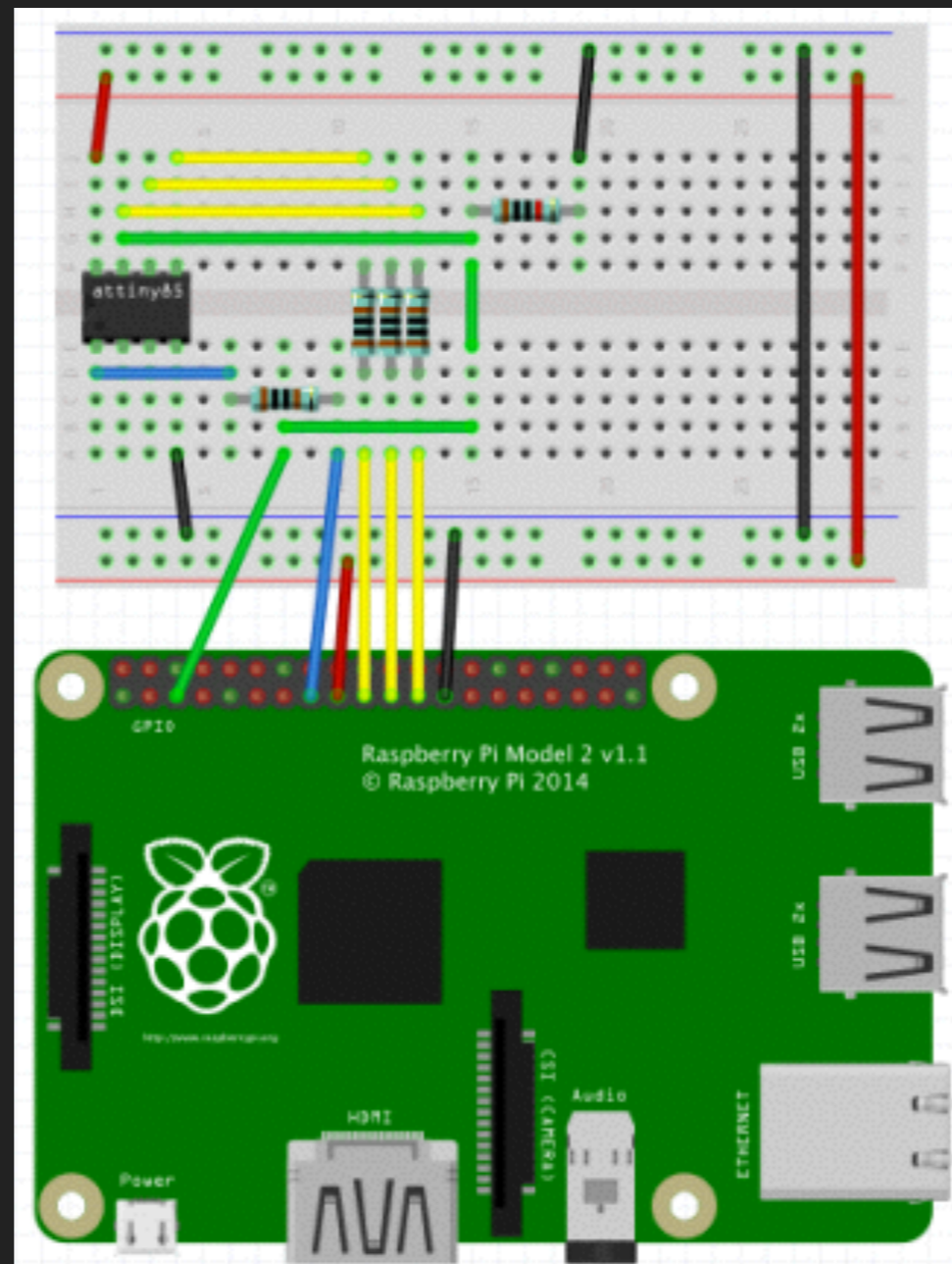


BRUTE FORCE HOTEL DOOR

Explanation of proprietary card readers and security behind hotel keys.



MAGSPOOF PI BY SALVADOR MENDOZA



► <https://netxing.wordpress.com/2016/08/27/magspooftpi/>

BIBLIOGRAFIA

- ▶ DEFCON 24 Hecker Hacking Hotel Keys and PoS Systems
- ▶ Magspooof Samy Kam <https://samy.pl/magspooof/>
- ▶ Magspooof Pi <https://netxing.wordpress.com/2016/08/27/magspooofpi/>
- ▶ Samsung Pay

PREGUNTAS

- ▶ Andrés Sabas
- ▶ s@electroniccats.com
- ▶ @sabasacustico
- ▶ <https://www.tindie.com/stores/electroniccats/>